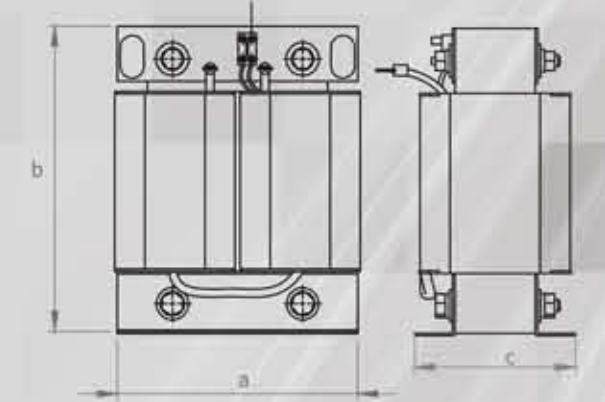
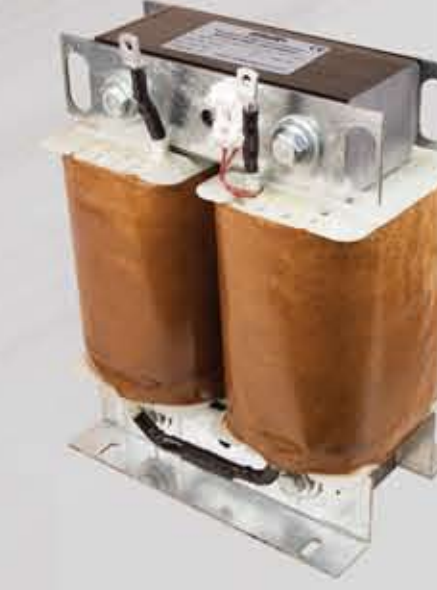
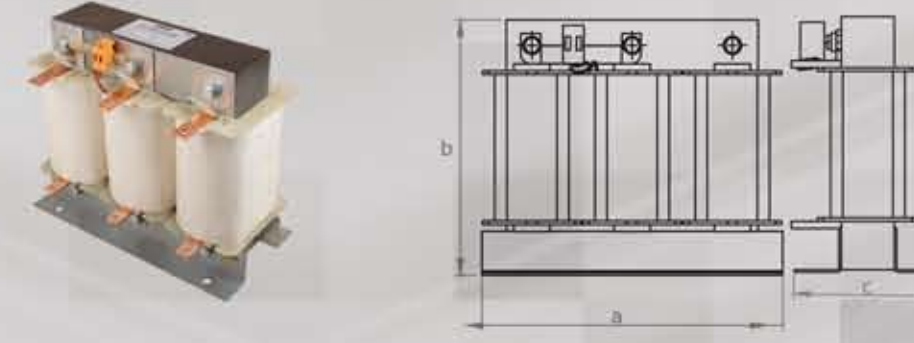


REACTORS-ANTI RESONANCE HARMONIC FILTER



Rv=400v F=50 Hz P=5.67 % (FR=210 Hz)

ÜRÜN KODU	GÜÇ / kvar	L / mH	I rms / A	a / mm	b / mm	c / mm	Ağırlık / Kg
Ordering Code	Power / kvar	L / mH	I rms / A	a / mm	b / mm	c / mm	Weight / Kg
ASLH400/5/156	1.56	19.62	2.81	150	140	75	2.8
ASLH400/5/312	3.12	9.81	5.63	180	170	90	4.5
ASLH400/5/625	6.25	4.90	11.28	180	170	95	5.8
ASLH400/5/750	7.5	4.08	13.53	180	170	105	6.5
ASLH400/5/1000	10	3.06	18.04	180	170	110	8
ASLH400/5/1250	12.5	2.45	22.55	180	170	120	9
ASLH400/5/1500	15	2.04	27.06	240	210	130	15

Rv=400v F=50 Hz P=5.67 % (FR=210 Hz)

ÜRÜN KODU	GÜÇ / kvar	L / mH	I rms / A	a / mm	b / mm	c / mm	Ağırlık / Kg
Ordering Code	Power / kvar	L / mH	I rms / A	a / mm	b / mm	c / mm	Weight / Kg
ASLH400/5/020	20	1.53	36.08	240	210	130	15
ASLH400/5/025	25	1.22	45.11	240	210	140	17
ASLH400/5/030	30	1.02	54.13	240	210	155	21
ASLH400/5/040	40	0.77	72.17	300	260	140	27
ASLH400/5/050	50	0.61	90.21	300	260	150	31
ASLH400/5/060	60	0.51	108.25	300	260	160	35

Rv=400v F=50 Hz P=7 % (FR=189 Hz)

ÜRÜN KODU	GÜÇ / kvar	L / mH	I rms / A	a / mm	b / mm	c / mm	Ağırlık / Kg
Ordering Code	Power / kvar	L / mH	I rms / A	a / mm	b / mm	c / mm	Weight / Kg
ASLH400/7/156	1.56	24.57	2.52	150	140	75	2.8
ASLH400/7/312	3.12	12.29	5.04	180	170	90	4.5
ASLH400/7/625	6.25	6.13	10.10	180	170	95	5.8
ASLH400/7/750	7.5	5.11	12.12	180	170	105	6.5
ASLH400/7/1000	10	3.83	16.17	180	170	110	8
ASLH400/7/1250	12.5	3.07	20.21	180	170	120	9
ASLH400/5/1500	15	2.56	24.25	180	170	135	11

Rv=400v F=50 Hz P=7 % (FR=189 Hz)

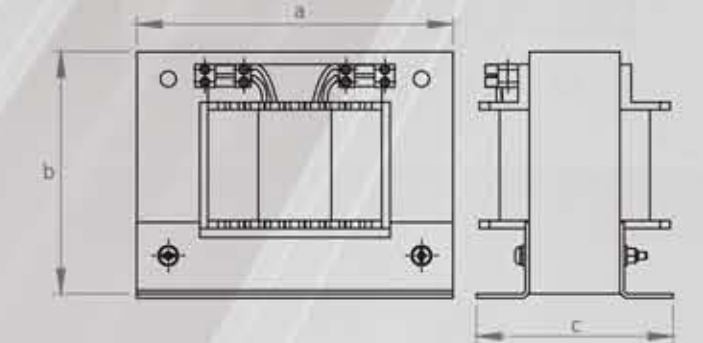
ÜRÜN KODU	GÜÇ / kvar	L / mH	I rms / A	a / mm	b / mm	c / mm	Ağırlık / Kg
Ordering Code	Power / kvar	L / mH	I rms / A	a / mm	b / mm	c / mm	Weight / Kg
ASLH400/7/020	20	1.92	32.33	240	210	130	15
ASLH400/7/025	25	1.53	40.41	240	210	140	17
ASLH400/7/030	30	1.28	48.50	240	210	155	21
ASLH400/7/040	40	0.96	64.66	300	260	140	27
ASLH400/7/050	50	0.77	80.33	300	260	150	30
ASLH400/7/060	60	0.64	96.99	300	260	160	34

Rv=400v F=50 Hz P=14 % (FR=134 Hz)

ÜRÜN KODU	GÜÇ / kvar	L / mH	I rms / A	a / mm	b / mm	c / mm	Ağırlık / Kg
Ordering Code	Power / kvar	L / mH	I rms / A	a / mm	b / mm	c / mm	Weight / Kg
ASLH400/14/156	1.56	53.15	2.39	180	170	90	4.5
ASLH400/14/312	3.12	26.57	4.77	180	170	105	6.5
ASLH400/14/625	6.25	13.27	9.56	180	170	120	9
ASLH400/14/750	7.5	11.05	11.47	180	170	120	9.5
ASLH400/14/1000	10	8.29	15.30	180	170	135	11
ASLH400/14/1250	12.5	6.63	19.12	180	210	130	15
ASLH400/14/1500	15	5.53	22.95	240	210	140	17

Rv=400v F=50 Hz P=14 % (FR=134 Hz)

ÜRÜN KODU	GÜÇ / kvar	L / mH	I rms / A	a / mm	b / mm	c / mm	Ağırlık / Kg
Ordering Code	Power / kvar	L / mH	I rms / A	a / mm	b / mm	c / mm	Weight / Kg
ASLH400/14/020	20	4.15	30.60	240	210	155	21
ASLH400/14/025	25	3.32	38.25	200	210	155	22
ASLH400/14/030	30	2.76	45.90	300	260	140	30
ASLH400/14/040	40	2.07	61.20	300	260	150	34
ASLH400/14/050	50	1.66	76.50	300	260	160	38
ASLH400/14/060	60	1.38	91.80	300	260	170	42



ÜRÜN KODU	GÜÇ / kvar	L / mH	I rms / A	a / mm	b / mm	c / mm	Ağırlık / Kg
Ordering Code	Power / kvar	L / mH	I rms / A	a / mm	b / mm	c / mm	Weight / Kg
ASLS230/0100	1	168.38	4.45	150	130	110	7
ASLS230/0150	1.5	112.25	6.52	150	130	150	12
ASLS230/0300	3	56.13	13	192	165	160	18

THDv > % 8 Güçlendirilmiş Reaktör Kullanılmaktadır.

