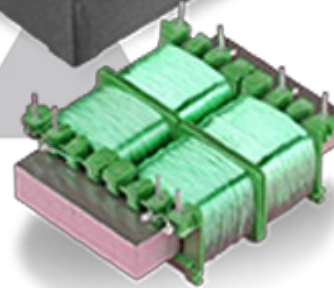
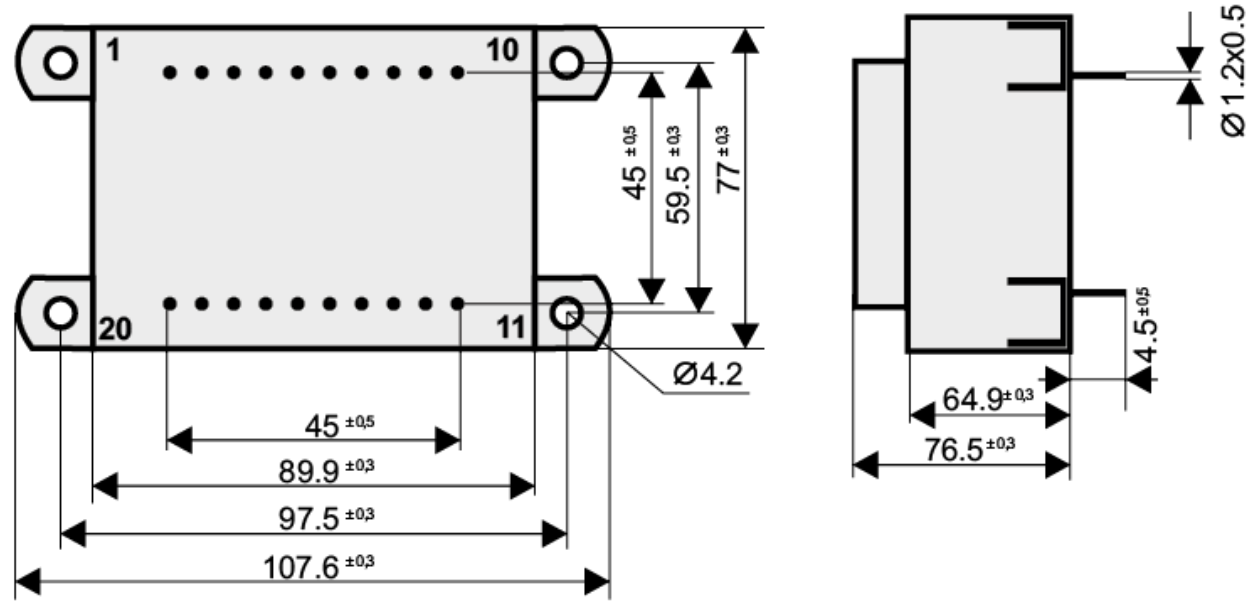


# E184

43,5  
100.0VA  
KK  
45mm2x10

E184 / 43,5- 100.0 VA - KK - 45 mm 2x10





### Özellikleri

Güvenlik Transformatörleri

Vakum altında PU veya Epoksi Dolgu

Sıcaklık sınıfı 70°C/B

Bakır Ağırlığı : 0,31 kg

Toplam Ağırlık: 2,14 kg

VDE 0570 ve EN 61558 normuna göre üretilmiştir.

\* Dalgalanma direncine dayanıklıdır.

### Characteristic

Safety Transformers

PU or Epoxy casting under vacuum

Temperature class ta 70°C/B

Cul weight : 0,31 kg

Total weight: 2,14 kg

Manufactured in according to VDE 0570 and EN 61558 norms

\* Durable to Surge Resistance

SIPARIS KODU / Order No.	PRIMER [V] / Primary	SEKONDER [V] / Secondary	AKIM [A] / Current	PIM ARALIGI / Pim Configuration	BOSTAKI VOLTAJI [V] / No-Load Voltage
ASL 204506	230	6	16,67	2-9 / 14-17	6,45
ASL 204508	230	7,5	13,33	2-9 / 14-17	8,15
ASL 204509	230	9	11,11	2-9 / 14-17	9,80
ASL 204512	230	12	8,33	2-9 / 14-17	13,00
ASL 204515	230	15	6,67	2-9 / 14-17	16,15
ASL 204518	230	18	5,56	2-9 / 14-17	19,40
ASL 204524	230	24	4,17	2-9 / 14-17	26,20
ASL 204606	230	2x6	2x8,33	2-9 / 12-14 + 17-19	2x6,40
ASL 204608	230	2x7,5	2x6,67	2-9 / 12-14 + 17-19	2x8,15
ASL 204609	230	2x9	2x5,56	2-9 / 12-14 + 17-19	2x9,80
ASL 204612	230	2x12	2x4,17	2-9 / 12-14 + 17-19	2x13,00
ASL 204615	230	2x15	2x3,33	2-9 / 12-14 + 17-19	2x16,10
ASL 204618	230	2x18	2x2,78	2-9 / 12-14 + 17-19	2x19,35
ASL 204624	230	2x24	2x2,08	2-9 / 12-14 + 17-19	2x26,2