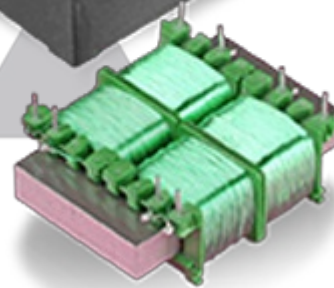
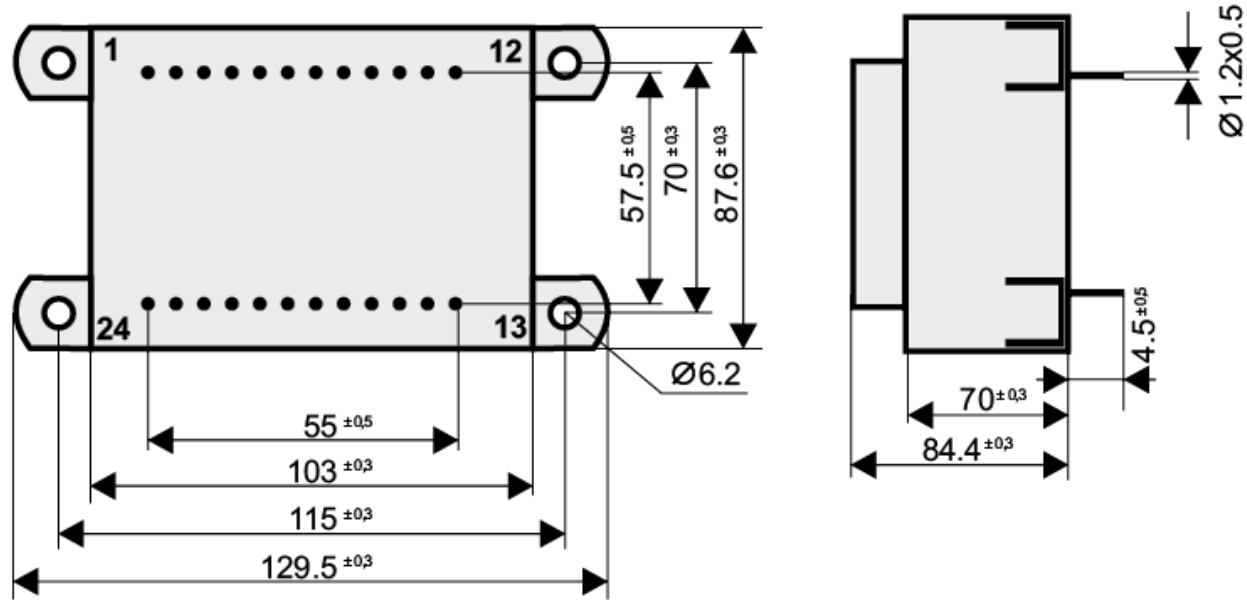


E196

45,7
180.0VA
KK
57,5mm2X12

E196 / 45,7- 180.0 VA - KK -57,5 mm 2 X 12





Özellikleri

Güvenlik Transformatörleri

Vakum altında PU veya Epoksi Dolgu

Sıcaklık sınıfı 70°C/B

Bakır Ağırlığı : 0,53 kg

Toplam Ağırlık: 3,02 kg

VDE 0570 ve EN 61558 normuna göre üretilmiştir.

* Dalgalanma direncine dayanıklıdır.

Characteristic

Safety Transformers

PU or Epoxy casting under vacuum

Temperature class ta 70°C/B

Cul weight : 0,53 kg

Total weight: 3,02 kg

Manufactured in according to VDE 0570 and EN 61558 norms

* Durable to Surge Resistance

SIPARIS KODU / Order No.	PRIMER [V] / Primary	SEKONDER [V] / Secondary	AKIM [A] / Current	PIM ARALIGI / Pim Configuration	BOSTAKI VOLTAJI [V] / No-Load Voltage
ASL 207306	230	6	30,0	2-11 / 16-21	6,50
ASL 207308	230	7,5	24	2-11 / 16-21	8,2
ASL 207309	230	9	20,0	2-11 / 16-21	9,80
ASL 207312	230	12	15,0	2-11 / 16-21	13,05
ASL 207315	230	15	12,0	2-11 / 16-21	16,10
ASL 207318	230	18	10,0	2-11 / 16-21	19,45
ASL 207324	230	24	7,5	2-11 / 16-21	25,90
ASL 207406	230	2x6	2x30,0	2-11 / 14-17 + 20- 23	2x6,50
ASL 207408	230	2x7,5	2x12	2-11 / 14-17 + 20- 23	2x8,2
ASL 207409	230	2x9	2x10,0	2-11 / 14-17 + 20- 23	2x9,75
ASL 207412	230	2x12	2x7,5	2-11 / 14-17 + 20- 23	2x13,10
ASL 207415	230	2x15	2x6,0	2-11 / 14-17 + 20- 23	2x16,20
ASL 207418	230	2x18	2x5,0	2-11 / 14-17 + 20- 23	2x19,50
ASL 207424	230	2x24	2x3,75	2-11 / 14-17 + 20- 23	2x25,9