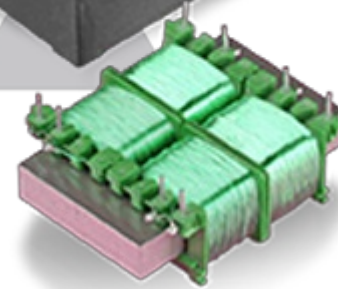
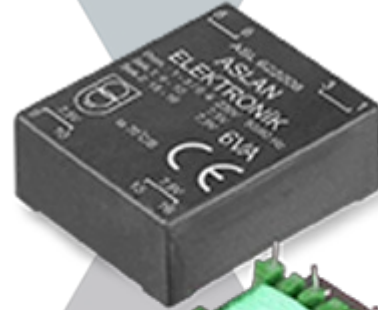
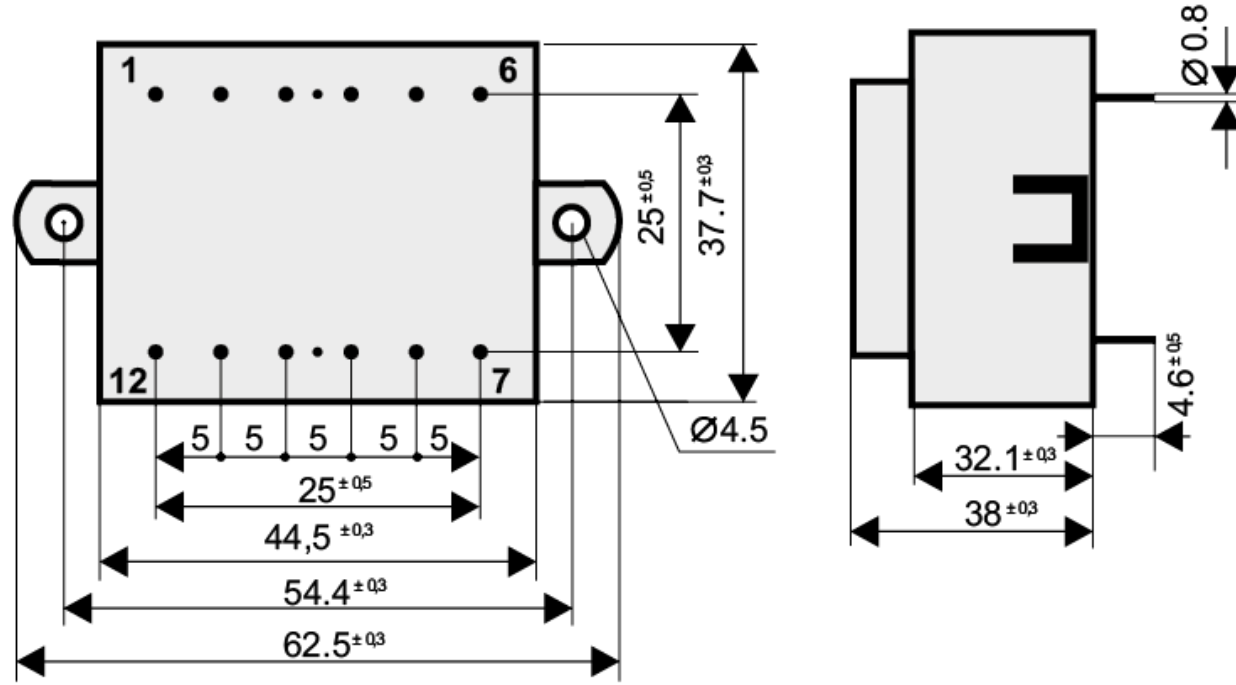


# EI42

20,5  
8.0VA  
K  
2x6  
25mm

EI42 / 20,5 - 8.0 VA - K - 2x6 - 25 mm





### Özellikleri

Güvenlik Transformatörleri

Vakum altında PU veya Epoksi Dolgu

Sıcaklık sınıfı 70°C/B

Bakır Ağırlığı : 40 gr

Toplam Ağırlık: 252 gr

VDE 0570 ve EN 61558 normuna göre üretilmiştir.

\* Dalgalanma direncine dayanıklıdır.

### Characteristic

Safety Transformers

PU or Epoxy casting under vacuum

Temperature class ta 70°C/B

Cul weight : 40 gr

Total weight: 252 gr

Manufactured in according to VDE 0570 and EN 61558 norms

\* Durable to Surge Resistance

<b>SIPARIS KODU / Order No.</b>	<b>PRIMER [V] / Primary</b>	<b>SEKONDER [V] / Secondary</b>	<b>AKIM [mA] / Current</b>	<b>PIM ARALIGI / Pim Configuration</b>	<b>BOSTAKI VOLTAJI [V] / No-Load Voltage</b>
<b>ASL 151106K</b>	<b>230</b>	<b>6</b>	<b>1333</b>	<b>1-6 / 8-11</b>	<b>7,80</b>
<b>ASL 151108K</b>	<b>230</b>	<b>7,5</b>	<b>1066</b>	<b>1-6 / 8-11</b>	<b>9,7</b>
<b>ASL 151109K</b>	<b>230</b>	<b>9</b>	<b>888</b>	<b>1-6 / 8-11</b>	<b>11,90</b>
<b>ASL 151112K</b>	<b>230</b>	<b>12</b>	<b>666</b>	<b>1-6 / 8-11</b>	<b>15,75</b>
<b>ASL 151115K</b>	<b>230</b>	<b>15</b>	<b>533</b>	<b>1-6 / 8-11</b>	<b>19,70</b>
<b>ASL 151118K</b>	<b>230</b>	<b>18</b>	<b>444</b>	<b>1-6 / 8-11</b>	<b>23,50</b>
<b>ASL 151124K</b>	<b>230</b>	<b>24</b>	<b>333</b>	<b>1-6 / 8-11</b>	<b>31,40</b>
<b>ASL 151206K</b>	<b>230</b>	<b>2x6</b>	<b>2 x 666</b>	<b>1-6 / 7-8 + 11-12</b>	<b>2 x 7,85</b>
<b>ASL 151208K</b>	<b>230</b>	<b>2x7,5</b>	<b>2 x 533</b>	<b>1-6 / 7-8 + 11-12</b>	<b>2 x 9,70</b>
<b>ASL 151209K</b>	<b>230</b>	<b>2x9</b>	<b>2 x 444</b>	<b>1-6 / 7-8 + 11-12</b>	<b>2 x 12,00</b>
<b>ASL 151212K</b>	<b>230</b>	<b>2x12</b>	<b>2 x 333</b>	<b>1-6 / 7-8 + 11-12</b>	<b>2 x 15,70</b>
<b>ASL 151215K</b>	<b>230</b>	<b>2x15</b>	<b>2 x 266</b>	<b>1-6 / 7-8 + 11-12</b>	<b>2 x 19,65</b>
<b>ASL 151218K</b>	<b>230</b>	<b>2x18</b>	<b>2 x 222</b>	<b>1-6 / 7-8 + 11-12</b>	<b>2 x 23,70</b>
<b>ASL 151224K</b>	<b>230</b>	<b>2x24</b>	<b>2 x 166</b>	<b>1-6 / 7-8 + 11-12</b>	<b>2 x 31,40</b>